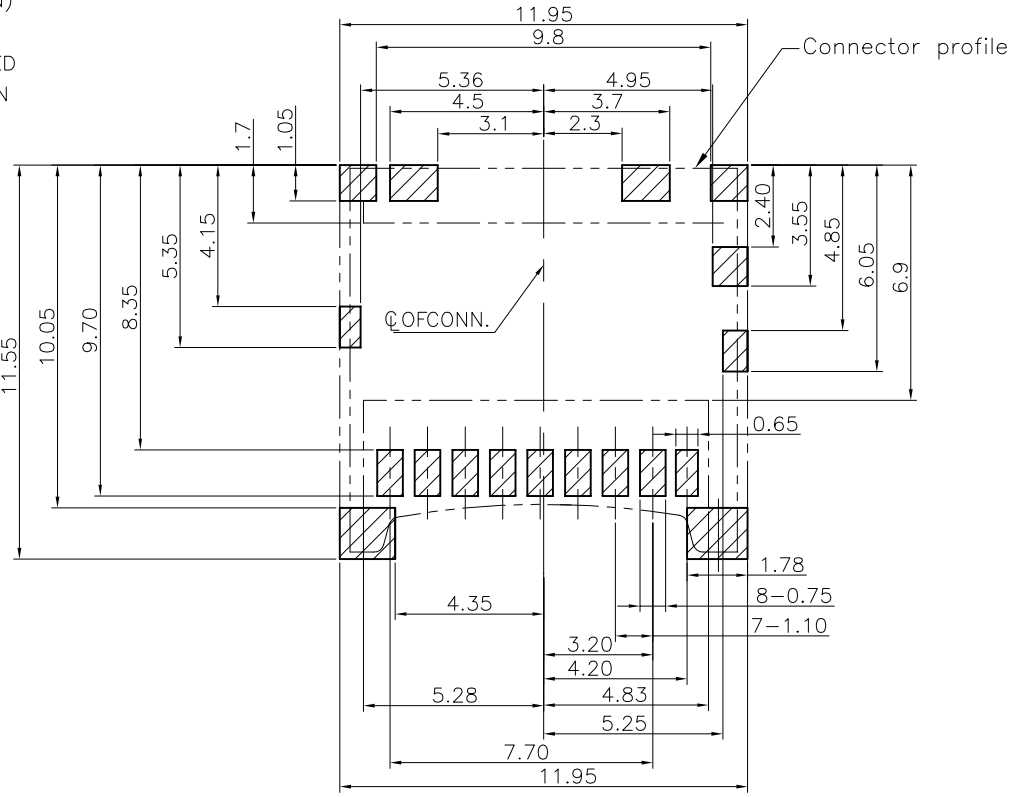
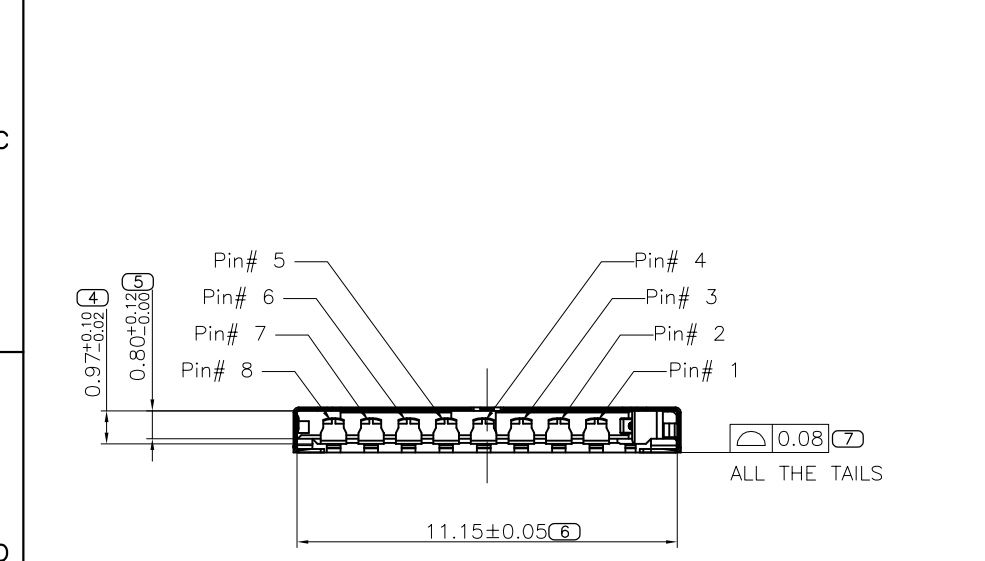
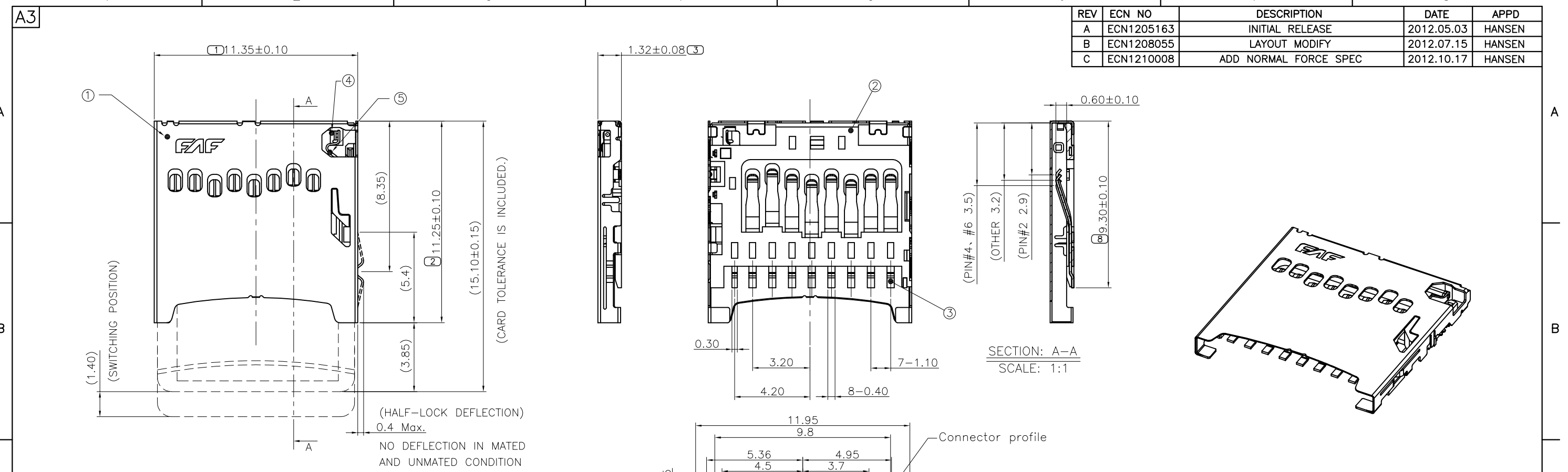


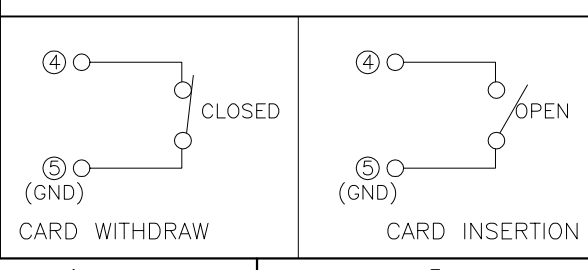
REV	ECN NO	DESCRIPTION	DATE	APPD
A	ECN1205163	INITIAL RELEASE	2012.05.03	HANSEN
B	ECN1208055	LAYOUT MODIFY	2012.07.15	HANSEN
C	ECN1210008	ADD NORMAL FORCE SPEC	2012.10.17	HANSEN



- NOTES:
- ELECTRICAL CHARACTERISTICS:
 - CONTACT CURRENT RATING: 0.5A MAX.
 - CONTACT RESISTANCE: 100 mOHMS MAX.
 - INSULATION RESISTANCE:
 - INITIAL: 1000 MOHMS MIN.
 - AFTER TEST: 100 MOHMS MIN.
 - MECHANICAL CHARACTERISTICS:
 - MATING FORCE: 20N MAX.
 - UNMATING FORCE: 0.5N MIN.
 - DURABILITY: 5000 CYCLES.
 - CONTACT NORMAL FORCE 0.2N/Pin~0.75N/Pin.
 - ENVIRONMENT CHARACTERISTICS:
 - OPERATING TEMPERATURE: -25°C~85°C
 - STORAGE TEMPERATURE: -40°C~85°C
 - CARD OPERATION GUIDE:
 - COMPATIBLE CARD: MICRO SD CARD
 - CARD INSERT DIRECTION: THE CARD SIDE WITH ELECTRIC PAD SHOULD BE AGAINST TOP SHIELD
 - RECOMMENDED IR REFLOW PORCESS PEAK TEMPERATURE: 250±5°C, DURATION 10s MAX.
 - ALL SMT CONTACTS AND PADS CO-PLANARITY: 0.08mm MAX

NO PATTERN AREA
 PATTERN AREA
 RECOMMEND PCB LAYOUT
 TOLERANCES SPEC: ±0.05

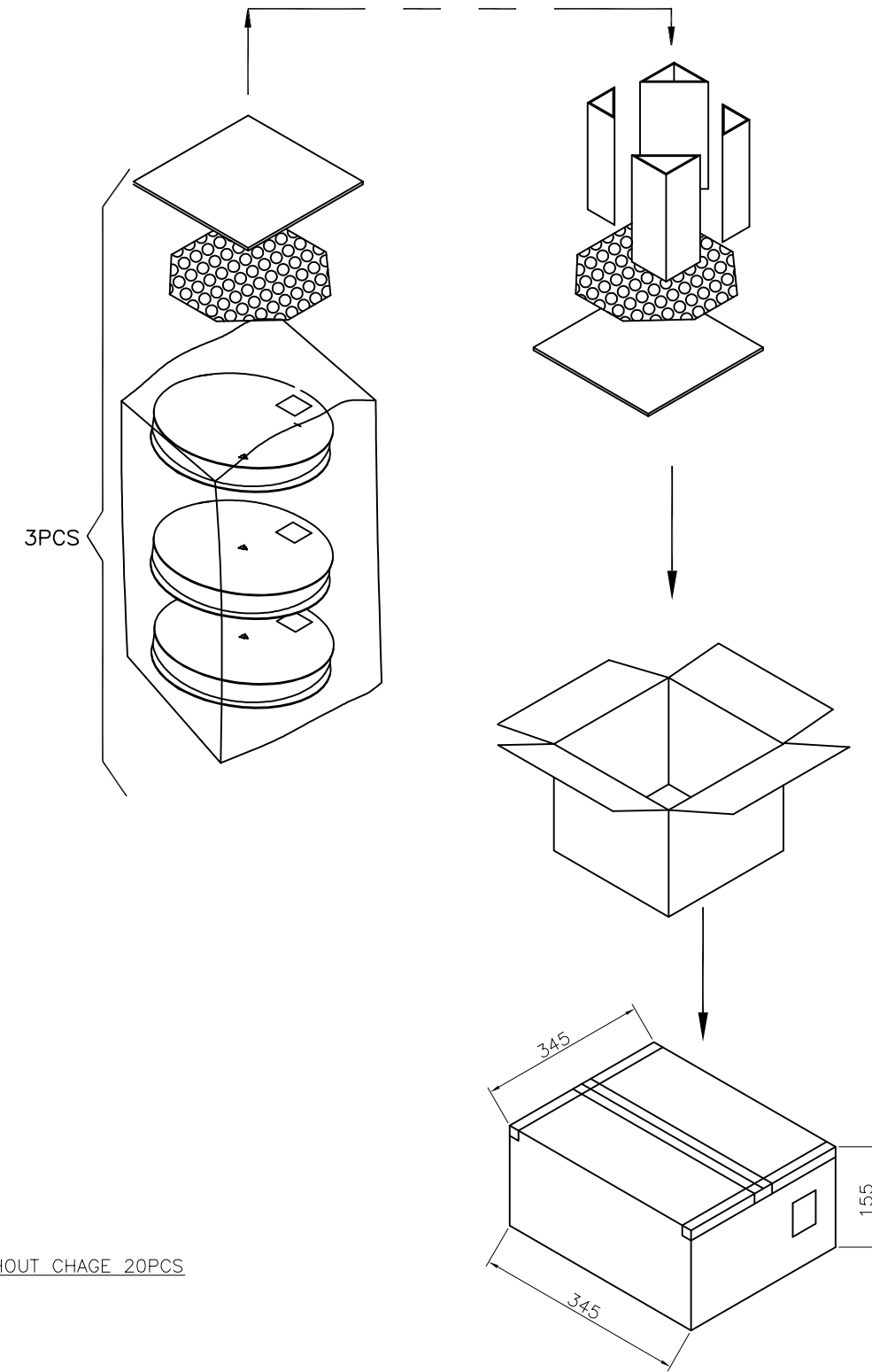
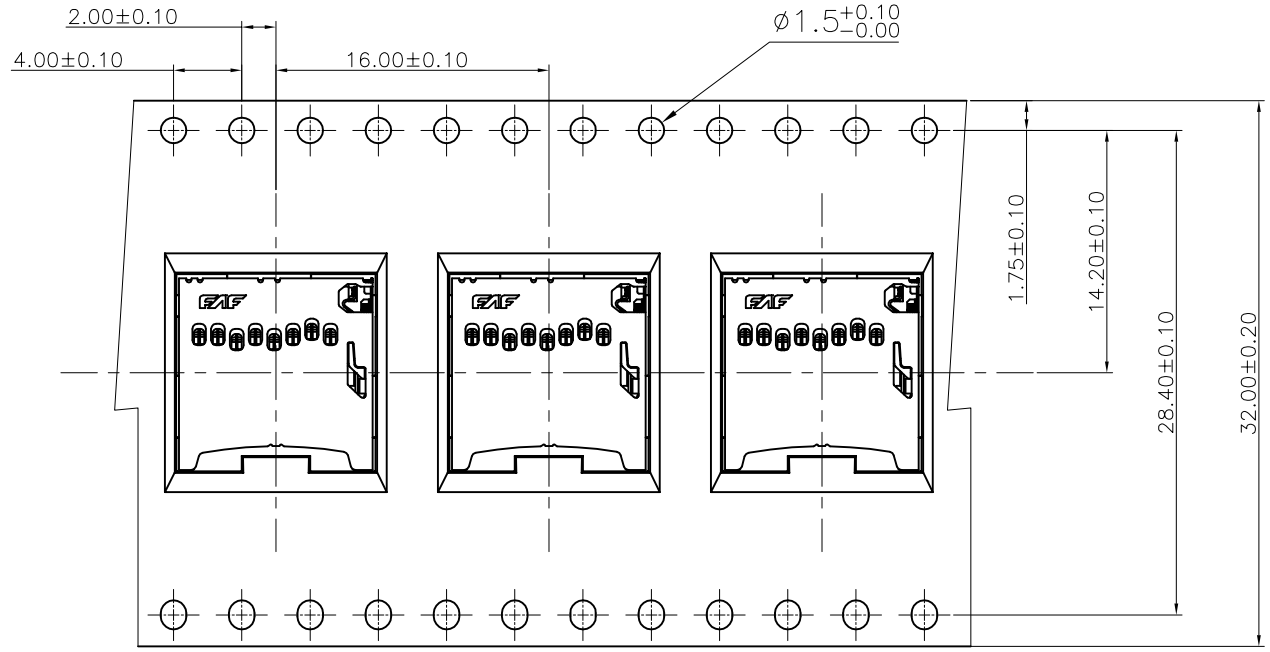
ITEM	DESCRIPTION	MATERIAL	FINISH	Q'TY
5	SWITCH A	COPPER ALLOY	NICKEL UNDER PLATED OVERALL, G/F PLATED ON CONTACT AND SOLDER AREA	1
4	SWITCH B			1
3	CONTACT	COPPER ALLOY	NICKEL UNDER PLATED OVERALL, GOLD 15u" ON CONTACT AREA G/F ON SOLDER AREA	8
2	HOUSING	THERMOPLASTIC	BLACK COLOR UL94-V0	1
1	SHELL	STAINLESS STEEL	NICKEL UNDER PLATED OVERALL, G/F PLATED ON SOLDER AREA	1



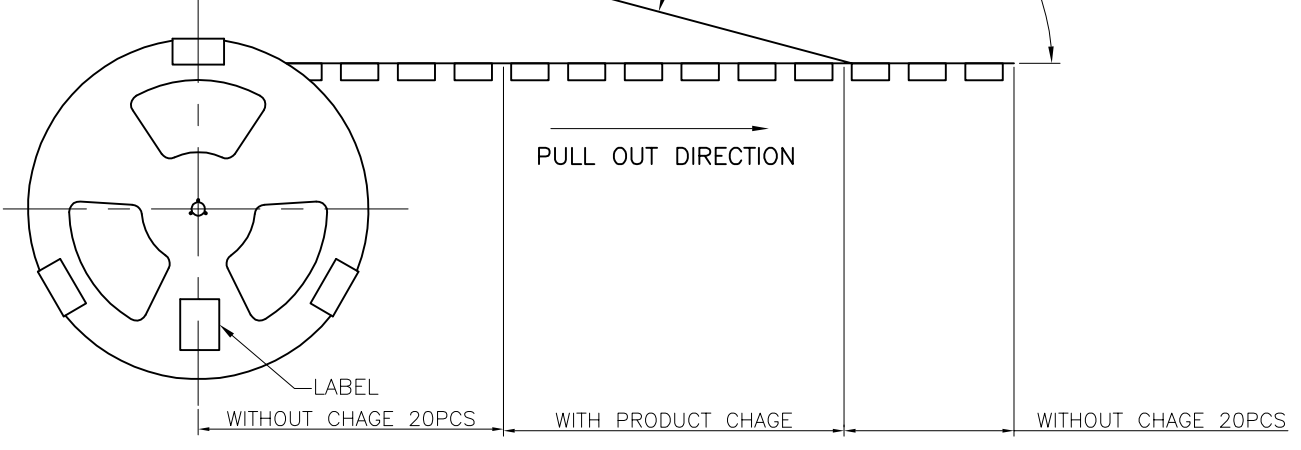
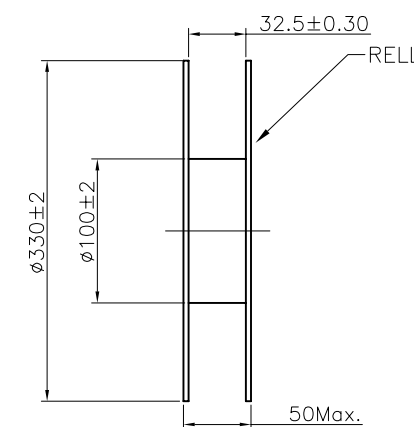
EXTEND USE		TITLE		DWG NO	
Micro SD CONN.		Micro SD CONN. Customer drawing (1.32H Push-Pull Type)		C-1.028A0	
UNIT mm		MATERIAL		P/N:	
GENERAL TOLERANCE (D)		APPD HANSEN 2012.10.17		1.028A0-010-5R0	
DIMENTION		QTY		SHEET	
ANGLES		FINISHED		SCALE	
.0 ±0.30		DRN FLY 2012.10.17		1/2	
.0 ±0.25				1:1	
.00 ±0.20				REV	
.000 ±0.10				C	

REV	ECN NO	DESCRIPTION	DATE	APPD
		SEE SHEET "1"		

A3



165°~180°
PELLING ANGLE
AROUND THE OUTER PERIPHERY IN A TURE
WEEDING THE COVER TAPE



EXTEND USE		UNIT mm	TITLE Micro SD CONN.		DWG NO C-1.028A0
Micro SD CONN.			Customer drawing (1.32H Push-Pull Type)		
GENERAL TOLERANCE		MATERIAL	APPD HANSEN 2012.10.17		P/N: 1.028A0-010-5R0
DIMENTION	ANGLES		CHD BILL 2012.10.17		
PCS/REEL	PCS/CARTON	FINISHED	DRN FLY 2012.10.17		SHEET 2/2
2000	6000				
				REV C	